

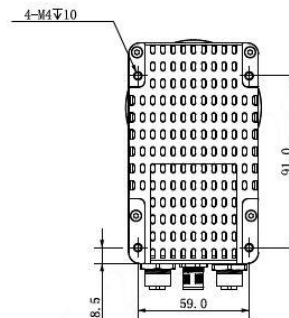
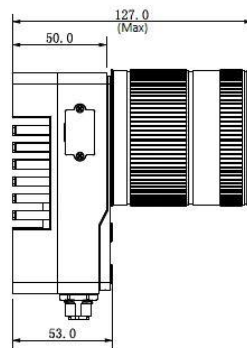
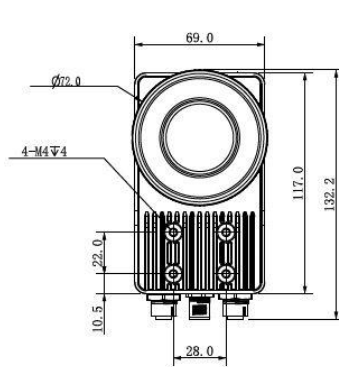
X86 Smart Camera

SI5500MG000E

Product Features

- Support Win10 OS, support secondary development based on iRAYPLE SDK;
- Support VGA/USB interface and extended keyboard/mouse connection;
- Global shutter, COMS series product;
- 4G RAM & 64G SSD;
- Support software trigger/hardware trigger/free run mode;
- Gigabit Ethernet interface, providing 1Gbps bandwidth;
- Abundant IO interfaces, RS232/485, 3 Opto-isolated inputs, 3 Opto-isolated outputs;
- Industrial-grade M12 connector, IP67 protection level;
- Support DC 24V power supply;

Dimensions (mm)



Technical Specifications

Model Name	SI5500MG000E
Sensor Type	CMOS
Sensor Size	2/3"
Shutter	Global
Resolution	2448 x 2048
Frame Rate	35
Mono/Color	Mono
Pixel Size	3.45 x 3.45
Software	Support MVP algorithm platform / Support customer-designed software
Ethernet	RS232, GigE
Sync Mode	Software Trigger/Hardware Trigger/Free Run Mode
LED Indicator	Power, Network, Trigger
Communication Protocol	SDK, Serial, TCPServer, TCPClient, Profinet, Modbus TCP
GPIO	3 Opto-isolated inputs and 3 Opto-isolated output
Lens Mount	C-Mount
Power Supply	DC 24V
Power Consumption	30W
Product Dimensions	132.2mm*69mm*62mm
Weight	600g
Temperature	Storage: - 30°C~+80°C; Operation: - 30°C~+50°C
Operating Humidity	20% ~ 95%, No condensing (with the proper lens cover installed correctly)

© 2021 IRAYPLE. All rights reserved. Design and specifications are subject to change without notice.
Pictures in the document are for reference only, and the actual product shall prevail.